



# NIAGARA

**General Catalogue  
Catálogo General  
Catalogue général**



## NIAGARA

FUTURE INTELLIGENT PUMPS



**North America:**

**Head Office, Canada:**

- 📍 Address: 4 Laurier Ave, Milton, Postal Code: L9T4V2, Ontario, Canada.
- ☎️ Tel: +1 (514) 550 5578
- ✉️ Email: sales@niagarapumps.ca

**USA:**

- 📍 Address: 8450 Cambridge street zip code 77054 Houston Texas.
- ☎️ Tel: +1 (713) 363 1585
- ✉️ Email: usa@niagarapumps.ca



**Europe:**

**Sweden:**

- 📍 Address: Lisa sass Gatan 12 Gothenburg – Sweden.
- ☎️ Tel: +4 (670) 099 1626
- ✉️ Email: sweden@niagarapumps.ca

**Turkey:**

- 📍 Address: FATIH MAH URFALILAR CAD, NO 9A, Esenyurt, Istanbul-Turkey.
- ☎️ Tel: +9 (537) 523 9069
- ✉️ Email: turkey@niagarapumps.ca

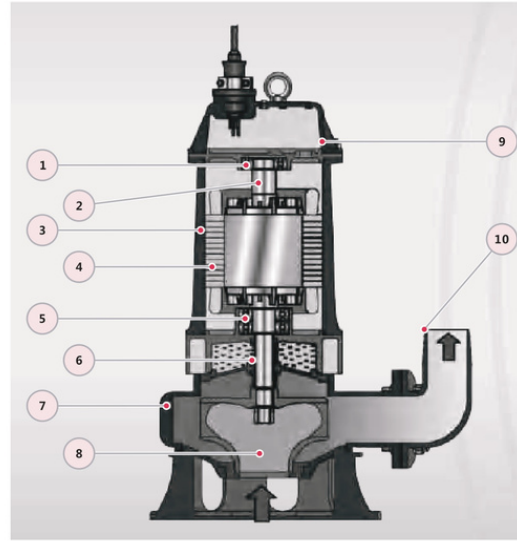
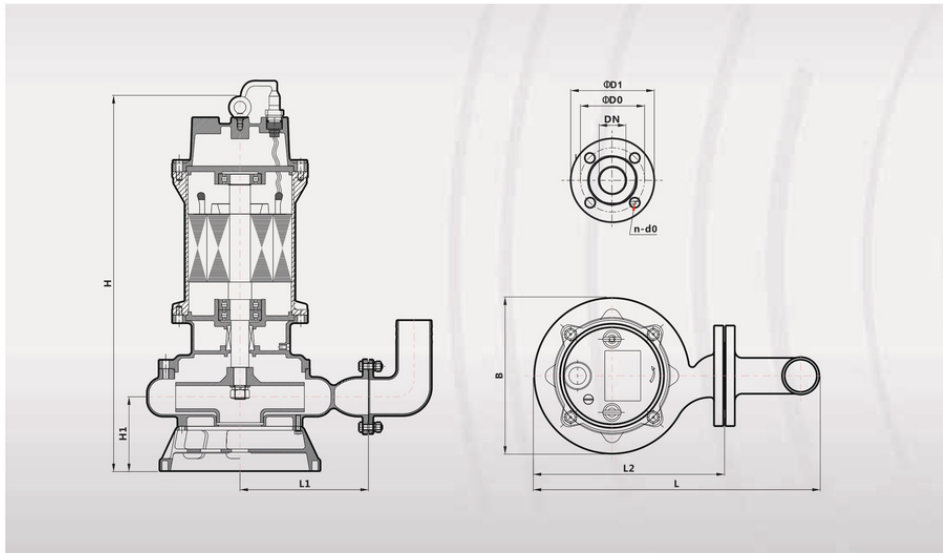


**Middle East:**

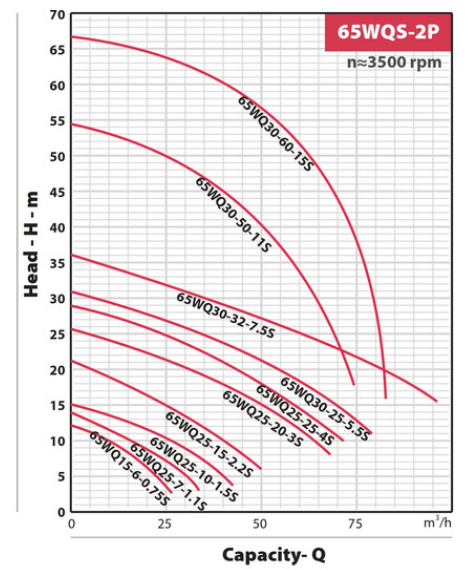
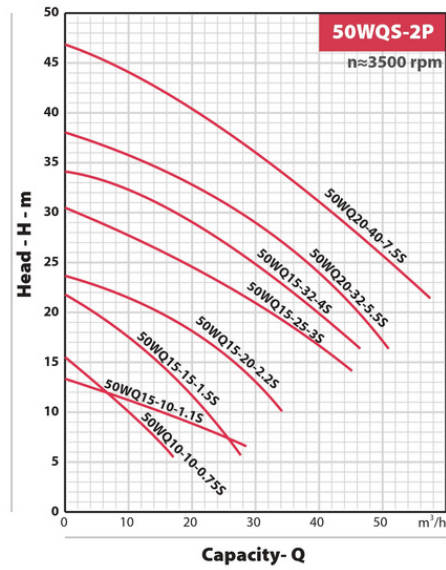
- 📍 Address: Liwara 1, Shaikh Rashid Bin Humaid St. Ajman, UAE
- ☎️ Tel: +9 (715) 5269 3552
- ✉️ Email: uae@niagarapumps.ca



MODEL MODELO MODELE	DN	Rate Q-H		Max Q-H		Power Potencia Puissance		n	Rated Voltage V	Rate Amps A	Max Solid mm	Dimensions(mm)										N.W kg
		m <sup>3</sup> /h	m	m <sup>3</sup> /h	m	kw	hp					rpm	L	L1	L2	B	H	H1	D0	n-d0	D1	
100WQ100-20-1154	100	100	20	170	25.5	11	15	1750	380	21.8	35	798	359	620	521	1008	208	170	4-17.5	210	200	
150WQ180-11-1154	150	180	11	320	20	11	15	1750	380	21.8	45	795	325	566	485	1017	212	225	8-17.5	265	205	
200WQ300-7-1154	200	300	7	350	21	11	15	1750	380	21.8	50	/	323	558	470	1037	222	280	8-18.5	320	210	
100WQ100-25-1554	100	100	25	165	36	15	20	1750	380	29.4	35	798	359	620	521	1008	208	170	4-17.5	210	220	
150WQ180-15-1554	150	180	15	365	24	15	20	1750	380	29.4	45	795	325	566	485	1017	212	225	8-17.5	265	225	
200WQ250-11-1554	200	250	11	365	23.5	15	20	1750	380	29.4	50	/	323	558	470	1037	222	280	8-18.5	320	230	
100WQ100-30-18.554	100	100	30	165	43	18.5	25	1750	380	35.5	35	800	359	620	521	1047	222	170	4-17.5	210	250	
150WQ180-20-18.554	150	180	20	410	27.5	18.5	25	1750	380	35.5	45	856	372	627	550	1030	208	225	8-17.5	265	260	
200WQ250-15-18.554	200	250	15	520	19.5	18.5	25	1750	380	35.5	50	/	395	670	521	1045	271	280	8-18.5	320	270	
100WQ100-35-2254	100	100	35	165	46	22	30	1750	380	42.2	35	800	359	620	521	1047	222	170	4-17.5	210	330	
150WQ180-25-2254	150	180	25	425	29	22	30	1750	380	42.2	45	856	372	627	550	1030	208	225	8-17.5	265	340	
200WQ250-20-2254	200	250	20	540	25	22	30	1750	380	42.2	50	/	395	670	521	1045	225	280	8-18.5	320	350	
100WQ100-45-3054	100	100	45	190	53	30	40	1750	380	56.9	35	/	/	/	/	/	/	170	4-17.5	210	445	
150WQ180-30-3054	150	180	30	410	37	30	40	1750	380	56.9	45	/	/	/	/	/	/	225	8-17.5	265	450	
200WQ250-22-3054	200	250	22	470	30.5	30	40	1750	380	56.9	50	/	/	/	/	/	/	280	8-18.5	320	460	
250WQ600-9-3054	250	600	9	710	25	30	40	1750	380	56.9	55	/	/	/	/	/	/	335	12-16	375	485	
150WQ180-37-3754	150	180	37	340	41	37	50	1750	380	69.8	45	855	372	630	550	1290	175	225	8-17.5	265	510	
200WQ350-25-3754	200	350	25	510	37	37	50	1750	380	69.8	50	/	395	630	525	1310	185	280	8-18.5	320	520	
250WQ600-12-3754	250	600	12	880	22.5	37	50	1750	380	69.8	55	/	410	710	600	1345	200	335	12-16	375	550	
300WQ800-9-3754	300	800	9	920	21.5	37	50	1750	380	69.8	60	/	460	789	670	1376	313	395	12-20	440	560	
150WQ200-40-4554	150	200	40	350	46	45	60	1750	380	83.9	45	855	372	630	550	1290	175	225	8-17.5	265	640	
200WQ400-25-4554	200	400	25	600	38.5	45	60	1750	380	83.9	50	/	395	670	525	1310	185	280	8-18.5	320	650	
250WQ600-15-4554	250	600	15	720	28	45	60	1750	380	83.9	55	/	410	710	600	1345	200	335	12-16	375	680	
300WQ800-12-4554	300	800	12	1050	30	45	60	1750	380	83.9	60	/	460	789	670	1379	313	375	12-20	440	690	

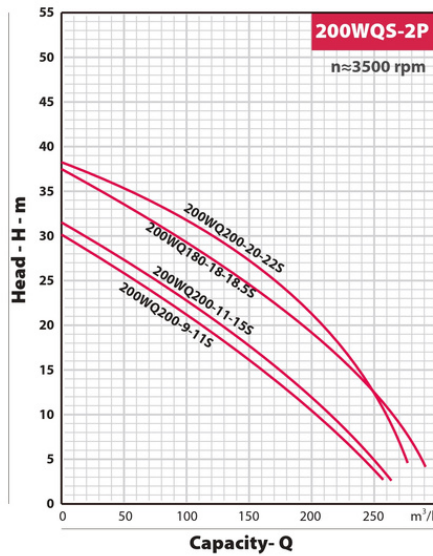
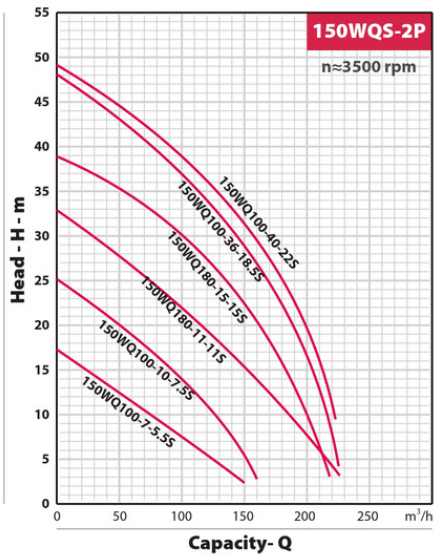
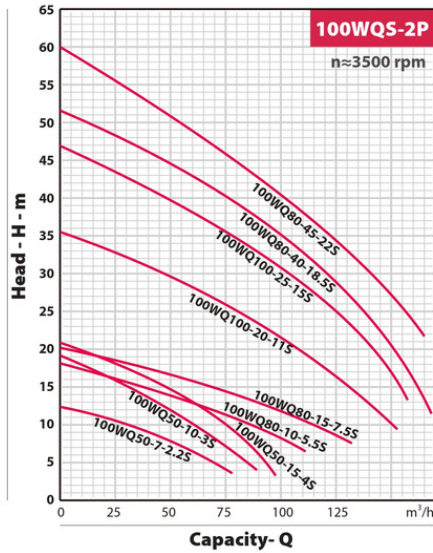
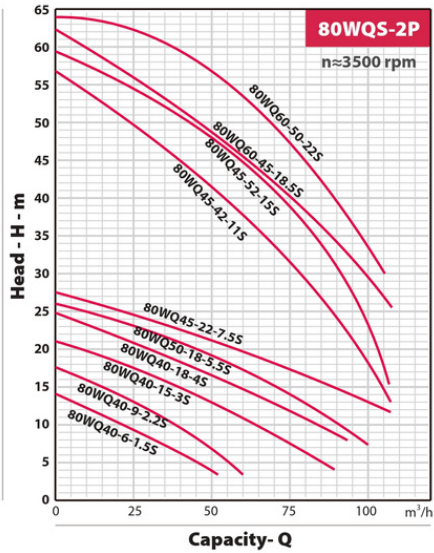


No.	Description Descripción Description	Material Material Matériel
1	Bearing Rodamiento Palier	Ball Bearing Bola Rodamiento Roulement à billes
2	Shaft Eje Arbre	SS304/SS316 Inox304/Inox316
3	Motor Case Cuerpo de Motor Boîtier du moteur	SS304/SS316 Inox304/Inox316
4	Wound Stator Estator Stator	Silicon Steel/Copper Acero al Silicio/Cobre
5	Bearing Rodamiento Palier	Ball Bearing Bola Rodamiento Roulement à billes
6	Mechanical Seal Cierre Mecánico Garniture mécanique	SiC/SiC/SS304 SiC/SiC/Inox304
7	Pump Case Cuerpo de Bomba Boîtier de pompe	SS304/SS316 Inox304/Inox316
8	Impeller Impulsor Roue	SS304/SS316 Inox304/Inox316
9	Top cover Cubierta superior Couvercle supérieur	SS304/SS316 Inox304/Inox316
10	Outlet Salida Sortie	SS304/SS316 Inox304/Inox316



# WQS

PERFORMANCE CURVE/CURVA DE RENDIMENTO/COURBE DE PERFORMANCE



# NIAGARA

PERFORMANCE CURVE/CURVA DE RENDIMENTO/COURBE DE PERFORMANCE

